



Luftheizgerät B 3 L/D 3 L

Störungssuche und Reparaturanleitung
Troubleshooting and repair manual
Felsökning och reparationsanvisning
Détection des pannes et instructions de réparation

Eberspächer

Gültig für die Geräteausführungen For heater designs Gäller för följande värmaretyper Valable par les modèles	B 3 L 20 1643 01 00 00 – 12 Volt	
	D 3 L 25 1482 01 00 00 – 12 Volt ¹⁾	25 1483 01 00 00 – 24 Volt ¹⁾
	25 1484 01 00 00 – 12 Volt ²⁾	25 1485 01 00 00 – 24 Volt ²⁾
		25 1573 01 00 00 – 24 Volt ³⁾
	25 1640 01 00 00 – 12 Volt ⁴⁾	25 1641 01 00 00 – 24 Volt ⁴⁾
		25 1642 01 00 00 – 24 Volt ⁴⁾
	25 1738 01 00 00 – 12 Volt ⁶⁾	25 1739 01 00 00 – 24 Volt ⁶⁾

D

- ¹⁾ Ausführung mit Groß-Klein-Stellung des Wärmestromes und mit Unterspannungsschutz
- ²⁾ Ausführung ohne Klein-Stellung des Wärmestromes und ohne Unterspannungsschutz
- ³⁾ Ausführung mit Kabelbaum 2 m lang, zwischen Heizgerät und Steuergerät sonst wie¹⁾
- ⁴⁾ mit Glühkerzenstromregler, sonst wie¹⁾
- ⁵⁾ Ausführung mit Kabelbaum 2 m lang, zwischen Heizgerät und Steuergerät, sonst wie⁴⁾
- ⁶⁾ Ausführung mit Groß-Klein-Aus-Stellung des Wärmestromes und mit Unter- und Überspannungsschutz.

Sv

- ¹⁾ Utförande med stor-liten-reglering av värmeeffekten och med underspänningsskydd
- ²⁾ Utförande utan reglering av värmeeffekten med stor-litenläge och utan underspänningsskydd
- ³⁾ Utförande med 2 m långt kabelknippe mellan värmare och styrenhet, annars som¹⁾
- ⁴⁾ med glödstifts-strömregulator, annars som¹⁾
- ⁵⁾ Utförande med 2 m långt kabelknippe mellan värmare och styrenhet, annars som⁴⁾
- ⁶⁾ Utförande med Stor-Liten-Från-reglering av värme-strömmen och med under- och överspänningsskydd.

E

- ¹⁾ design with full-half setting of heating capacity and undervoltage safety device
- ²⁾ design without half-setting of heating capacity and without undervoltage safety device
- ³⁾ design with cable harness, 2 m long, between heater and control unit, otherwise as¹⁾
- ⁴⁾ with glow plug current regulator, otherwise as¹⁾
- ⁵⁾ design with cable harness, 2 m long, between heater and control unit, otherwise as⁴⁾
- ⁶⁾ Version with High-Low-Off setting of heating capacity and with undervoltage and overvoltage protection.

F

- ¹⁾ Modèle avec positions Fort/Demi-puissance du flux de chaleur et avec déclencheur à sous-tension
- ²⁾ Modèle sans position Demi-puissance du flux de chaleur et sans déclencheur à sous-tension
- ³⁾ Modèle avec faisceau de câble de 2 m de longueur entre appareil de chauffage et coffret de commande automatique, autrement comme sous¹⁾
- ⁴⁾ avec régulateur de tension, autrement comme sous¹⁾
- ⁵⁾ Modèle avec faisceau de câble 2 m longueur entre appareil de chauffage et coffret de commande automatique, autrement comme sous⁴⁾
- ⁶⁾ Modèle avec régulation "Fort-Faible-Arrêt" du flux calorifique et disjoncteurs de surtension ou de sous-tension.



D

Die Störungssuche von Seite 3 bis Seite 19 ist für folgende Geräteausführungen gültig:

- 20 1643
- 25 1482 / 25 1483
- 25 1484 / 25 1485 / 25 1573
- 25 1640 / 25 1641 / 25 1642

Zur anschließenden systematischen Fehlersuche empfehlen wir, ein Prüfkabel (s. Skizze) anzufertigen. Mit diesem läßt sich schnell feststellen, ob eine Störungsursache im Heizgerät einschließlich Steuergerät und Brennstoffversorgung oder in der Bedien- und Regeleinrichtung zu suchen ist. Dazu ist das Prüfkabel anstelle der Bedieneinrichtung an den 6-poligen Stecker anzuschließen und an Hand des Störsuch-Schemas die ordnungsgemäße Funktion des Heizgerätes zu überprüfen. Wenn dies sichergestellt ist, wird das Prüfkabel entfernt, die Bedieneinrichtung wieder angeschlossen und ggf. dort die Fehlersuche fortgesetzt.

Die Störungssuche für die Geräteausführung 25 1738 und 25 1739 ist von Seite 20 bis Seite 27 beschrieben.

In das Störungsschema sind folgende Störungsursachen nicht mit einbezogen:

Deshalb folgende Punkte generell überprüfen.

Fehlerhafte Verdrahtung (Kurzschlüsse, Unterbrechung), korrodierte Kontakte, Batteriespannung beim Gerätestart kleiner als 10,5 V bzw. 21 V (gemessen am Steuergerät zwischen Klemme 3 und 4), mechanische Beschädigungen von Bauteilen, Tank leer.

Bei einer Ausgangstemperatur von ca. 20° C ist bei B 3 L die Glühwendel der Glühzündkerze durch den Glühwendelschalter abgeschaltet.

E

Troubleshooting as per pages 3 to 19 applies for the following heater versions:

- 20 1643
- 25 1482 / 25 1483
- 25 1484 / 25 1485 / 25 1573
- 25 1640 / 25 1641 / 25 1642

For systematic troubleshooting after this, we recommend that a test cable be made (see sketch). Using this, it can quickly be found out whether the fault lies in the heater, including control unit and fuel supply system, or in the operating and regulation system. To do so, connect the test cable to the 6-pole plug, instead of the operating system, and check whether the heater is functioning properly using the troubleshooting chart. Then remove the test cable, reconnect the operating system and continue the search for the fault there as appropriate.

Troubleshooting for heater versions 25 1738 and 25 1739 is described on pages 20 to 27.

The troubleshooting chart does not cover the following causes of fault:

Defective wiring (short-circuits, breaks) corroded contacts, battery voltage at heater startup less than 10,5 V or 21 V (measured at control unit between terminals 3 and 4), mechanical damage to components, empty tank. These points must therefore be checked off as a matter of course.

Important: at an intake temperature of 20° C, the heating coil switch in B 3 L switches off the heating coil of the glow ignition plug.

Sv

Felsökningen från sidan 3 till 19 gäller för följande värmaretyper:

- 20 1643
- 25 1482 / 25 1483
- 25 1484 / 25 1485 / 25 1573
- 25 1640 / 25 1641 / 25 1642

För den anslutande systematiska felsökningen rekommenderar vi tillverkningen av en provningskabel (se skiss). Med denna kan snabbt avgöras om störningsorsaken kommer från värmaren inkl. styrenhet och bränsleförsörjning eller i manövrer- och reglageanordningen. Provningskabeln ansluts vid den 6-trågida strömbrytaren istället för manövreranordningen och funktionen av värmaren kontrolleras med hjälp av felsökningsschemat. Efter kontrollen tar man bort provningskabeln, manövreranordningen ansluts igen, och om det visat sig nödvändigt fortsätts felsökningen här.

Felsökning för värmaretyperna 25 1738 och 25 1739 beskrivs från sidan 20 till 27.

Felsökningsschemat innehåller inte följande störningsorsaker:

Felaktig koppling (kortslutningar, avbrott), korroderade kontakter, batterispänning vid start lägre än 10,5 V resp 21 V (mätt intill styrenheten mellan klämma 3 och 4), mekaniska skador av byggelement, tom tank. Därför bör dessa punkter allmänt kontrolleras.

Obs! Vid en insugningstemperatur på 20° C fränkopplar hos B 3 L glödspiralbrytaren tändstiftets glödspiral.

F

Les directives de localisation des défaillances, pages 3 à 19, s'appliquent aux versions d'appareils suivantes:

- 20 1643
- 25 1482 / 25 1483
- 25 1484 / 25 1485 / 25 1573
- 25 1640 / 25 1641 / 25 1642

En ce qui concerne la détection systématique des pannes exposée ci-dessous, nous recommandons de confectionner un câble de vérification (voir le croquis). Grâce à celui-ci on pourra rapidement déterminer si on doit rechercher la cause de la panne dans l'appareil de chauffage même y compris le coffret de commande automatique et l'alimentation en carburant, ou bien dans le dispositif de commande et de réglage. Dans ce but, il convient de raccorder le câble de vérification au connecteur à 6 pôles à la place du dispositif de commande, puis de vérifier conformément au schéma de détection des pannes le fonctionnement correct de l'appareil de chauffage. Lorsque cette certitude est établie, on raccorde de nouveau le dispositif de commande et on poursuit le cas échéant la détection des pannes de ce côté.

La localisation des défaillances sur les appareils 25 1738 et 25 1739 est décrite pages 20 à 27.

Dans le schéma de recherche des pannes, les causes perturbatrices suivantes ne sont pas comprises:

Câblage défectueux (court-circuits, coupures de fils), contacts corrodés, tension de batterie inférieure à 10,5 V ou resp. 21 V lors de la mise en marche de l'appareil (tension mesurée entre les bornes 3 et 4), dommages mécaniques à des parties constructives, réservoir vide.

Attention: à une température d'aspiration de 20° C, le filament de la bougie à incandescence, sur les appareils du type B 3 L, est interrompu par le contacteur spiralé.

Par conséquent, vérifier en général ces points.

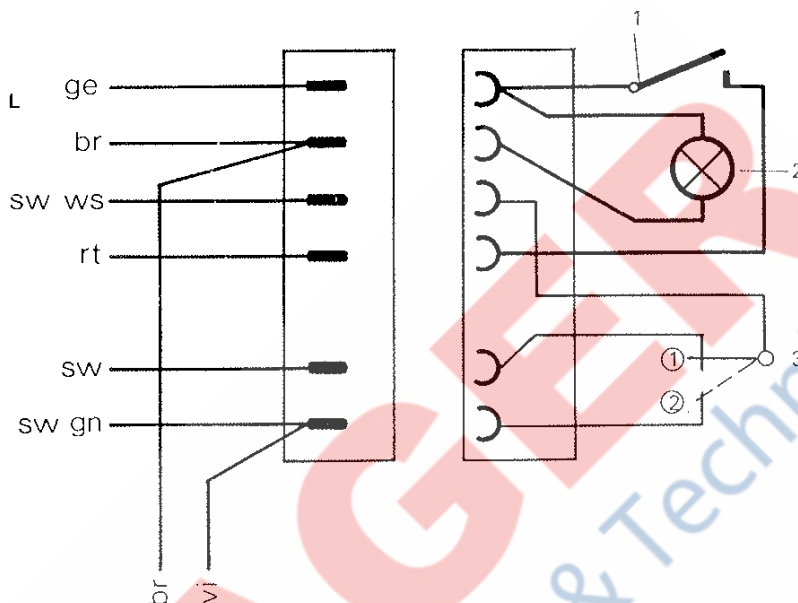


Prüfkabel B 3 L/D 3 L

Test cable B 3 L/D 3 L

Prövningskabel B 3 L/D 3 L

Câble de vérification B 3 L/D 3 L



D

- 1 Einschalter
- 2 Kontrolllampe
- 3 Umschalter Groß ⊕ – Klein ⊗
Bei B 3 L und D 3 L – Ausführung 1484/25 1485 muß der Umschalter 3 immer auf Schaltstellung „Groß ⊕ “ stehen.

E

- 1 On-off switch
- 2 Pilot lamp
- 3 Switch High ⊕ – low ⊗
In B 3 L and D 3 L 25 1484/25 1485, switch 3 must always be in position „High ⊕ “.

D

- Kontrollwerte
- Thermoschalter – Nachlaufzeit: 200 Sek bis 240 Sek.
- Gebäsemotordrehzahl bei Nennspannung (gemessen nach Abschalten der Glühkerze):
B 3 L und D 3 L = 4100 U/min – 4700 U/min
- Brennstoffverbrauch:
B 3 L = 0,39 l/h D 3 L = 0,38 l/h
- Brennstoffmessung siehe Seite 29 und 30.

E

- Check valves
- Temperature switch delayed shutoff time: 200 to 240 secs.
- Blower motor speed at rated voltage (measured after switching off of glow plug):
B 3 L and D 3 L 4100 to 4700 r.p.m.
- Fuel consumption:
B 3 L = 0,39 l/h D 3 L = 0,38 l/h
- Fuel quantity: See pages 29 and 30 for valves and measurement

Sv

- 1 Startknapp
- 2 Kontrolllampe
- 3 Strömbrytare Stor ⊕ – Liten ⊗
Vid B 3 L och D 3 L 25 1484/25 1485 – utförandet måste strömbrytaren 3 alltid stå på laget „stor ⊕ “.

F

- 1 Contacteur de mise en marche
- 2 Voyant de contrôle
- 3 Commentateur Fort ⊕ – Faible ⊗
Sur le appareils du type B 3 L avec D 3 L 25 1484/25 1485, le commutateur 3 doit toujours être positionné sur „fort ⊕ “.

Sv

- Kontrollvärden
- Thermoschalter – efterbräuningstid: 200 - 240 sek
- Fläktmotorns varvtod vid märkspänning (mätt efter avstägning av glödstiftet):
B 3 L och D 3 L = 4100 – 4700 v/min
- Bränsleförbrukning:
B 3 L = 0,39 l/h D 3 L = 0,38 l/h
- Bränsmängd: värden och mätning se sidan 29 ok 30.

F

- Valeure à contrôler
- Marche de poursuite du thermo-rupteur: 200 à 240 secondes
- Vitesse de rotation du uwtour de la turbine, sous tension nominale (mesurée après coupure de la bougie à incandescence)
B 3 L et D 3 L = 4100 – 4700 v/min
- Consommation de carburant
B 3 L = 0,39 l/h D 3 L = 0,38 l/h
- Dosage du carburant: Valeurs et mesure: voir pages 29 et 30.



E Troubleshooting

Fault →

↓ Cause

	No blower noise approx. 5 secs. after switching on	Blower runs about 5 secs., about 5 secs. after being switched on, then cuts out automatically	Blower runs about 5 secs. after being switched on, pump ticks after about 30 secs., then automatic cutout after about 3 mins.	Blower runs about 5 secs. after being switched on, pump not ticking after about 30 secs., then automatic cutout after about 3 mins.	Heater switched off automatically and permanently during operation	No reduction of heater flow in "Half" position	Heater flow inadequate in "Full" position, or heater goes off by itself	Heater smokes and soots	Blower continues to run after being switched off beyond the normal delayed shutoff time of 3-4 mins.
16 Amp. main fuse defective	<input type="radio"/>								
Motor current fuse in control unit defective	<input type="radio"/>								
Safety thermal cutout switch triggered by overheating					<input type="radio"/>				
Safety thermal cutout switch does not close		<input type="radio"/>							
Glow plug D 3 L Glow ignition plug B 3 L coked/defective	<input checked="" type="radio"/>		<input checked="" type="radio"/>						
Heating coil switch defective Ignition spark generator defective			<input type="radio"/> B 3 L						
Temperature fuse defective (D 3 L 24 V only)	<input type="radio"/>								
Temperature switch does not switch cold to hot			<input type="radio"/>						
Temperature switch does not switch hot to cold								<input type="radio"/>	<input checked="" type="radio"/>
Control unit does not provide impulses for fuel metering pump				<input type="radio"/>					
Reed relay in control unit has no contact		<input type="radio"/>							
Relay in control unit sticks								<input type="radio"/>	
On-off switch, room thermostat, timer, defective	<input type="radio"/>								
Bimetallic switch in room thermostat does not switch over (hot to cold)									

Continued page 10

D 3 L heater designs 25 1482/25 1483/25 1573

B 3 L and D 3 L heater designs 25 1484/25 1485



X

Check



Remedy



Visual check	Eliminate cause (short circuit in wiring or coked coil), and change fuse
Visual check or continuity test	Eliminate cause (blower damage), change fuse
Switch off on-off switch, press overheat button on heater	Eliminate cause (blocking of hot air on intake or outlet side, blower speed too low, fuel quantity too high). Switch on on-off switch
Pull 6-pole plug out of control unit. Defect is present when there is no minus at terminal 5 in the plug socket casing in the switched-off condition	Replace safety thermal cutout switch
Visual and continuity test	Replace glow plug
Heating coil switch: max. switching point $35^{\circ}\text{C} \pm 3^{\circ}\text{C}$ min. switching point $25^{\circ}\text{C} \pm 4^{\circ}\text{C}$	Replace heating coil switch
Ignition spark generator: hold high-voltage cable approx. 5 mm against earth	Replace ignition spark generator
Visual and continuity test on glow plug; and relay (Pos. 12 pages 22, 23, 25/ Pos. 2.5.1 pages 26, 27)	Replace temperature fuse on plug series resistor
Heater starts properly (noise of combustion), cuts out automatically after about 3 mins., no delayed shutoff	Replace temperature switch
Defect is present when there is no continuity between plug connections to terminals 1 and 8 in the switched-off condition	Replace temperature switch
Connect pilot lamp to metering pump contacts. If there are no impulses:	Replace control unit
See "Fault"	Replace control unit
Blower continues to run after being switched off, after the normal shutoff delay (3–4 mins.), also, voltage at glow plug connection	Replace control unit
Check for continuity	Replace
Check for continuity	Replace



Cause ↓	Fáult →									
		No blower noise approx. 5 secs. after switching on	Blower runs about 5 secs., about 5 secs. after being switched on, then cuts out automatically	Blower runs about 5 secs. after being switched on, pump ticks after about 30 secs., then automatic cutout after about 3 mins.	Blower runs about 5 secs. after being switched on, pump not ticking after about 30 secs., then automatic cutout after about 3 mins.	Heater switched off automatically and permanently during operation	No reduction of heater flow in "Half" position	Heater flow inadequate in "Full" position, or heater goes off by itself	Heater smokes and soots	Blower continues to run after being switched off beyond the normal delayed shutoff time of 3-4 mins.
Bimetallic switch in room thermostat does not switch over (cold to hot)								<input type="checkbox"/>		
Fuel metering pump not working					<input type="checkbox"/>					
pumping too much						<input type="checkbox"/>			<input type="checkbox"/>	
pumping too little			<input type="checkbox"/>					<input type="checkbox"/>		
Fuel line not in order: filter clogged, air in line, since intake line not tight			<input type="checkbox"/>							
Hot air tube damaged or dropped off								<input type="checkbox"/>		
Hot air line blocked (intake or outlet side)						<input type="checkbox"/>				
Combustion air line or exhaust line blocked									<input type="checkbox"/>	
Blower motor speed too low						<input type="checkbox"/>			<input type="checkbox"/>	
Electric motor defective		<input type="checkbox"/>								
Blower damaged		<input type="checkbox"/>								
Printed circuit board in heater defective, start in "Low" position		<input type="checkbox"/>								
Printed circuit board in heater defective (diode does not block)								<input type="checkbox"/>		



X

Check



Remedy



Check for continuity

Replace

Check whether there are impulses at the metering pump contacts. If so:

Replace fuel metering pump

Measure fuel quantity (see page 26). If outside permissible tolerance:

Replace fuel metering pump

Measure fuel quantity (see page 26). If outside permissible tolerance:

Replace fuel metering pump

Visual check

Bleed, seal, change filter

Visual check

Eliminate

Visual check

Eliminate

Visual check

Eliminate

Remove cold air tube, measure speed at motor shaft

Replace electric motor

Remove cold air tube. If shaft of electric motor can be turned:

Replace electric motor

Remove cold air tube. If shaft of electric motor cannot be turned:

Repair blower

Electric motor runs in "Full" position, or room thermostat "8", does not run in "Half" position or room thermostat "1"

Replace printed circuit board

In the "Full" position, the metering pump frequency halves when the temperature switch is switched over

Replace printed circuit board



Troubleshooting for heater versions 25 1738 01 00 00 and 25 1739 01 00 00

In the event of faults, first check the following points:

- Overvoltage cutout / Undervoltage cutout?
Measure the voltage at the control unit.
- Fuel in tank?
- Fuses OK?
- Electrical lines, connectors, connections OK?
- Combustion air and exhaust lines OK?
- When combustion produces soot:

- Combustion air/exhaust line clogged? Remove clog
- Metering pump conveying too much? Measure fuel quantity, replace fuel pump
- Deposits in heat exchanger? Replace heat exchanger and clean it.

Fault display by diagnostic signal

Further faults can be indicated by diagnostic signals (see page 21).
The diagnostic signals are obtained by installation of an additional unit (see wiring diagram for connection) and are then displayed as flashing symbols in the knob of the actuating unit.
The diagnostic signal "Overheat" is always displayed at fault shutdown (no additional equipment necessary).

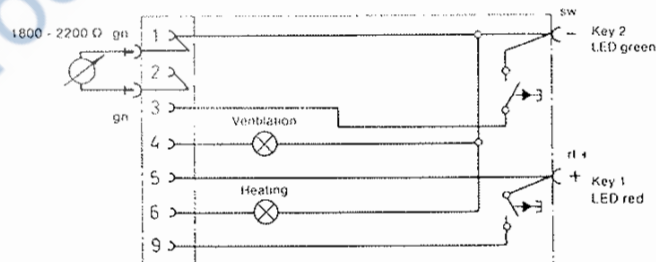
Test unit for operating device

Detach the plug of the operating device from the cable harness, instead connect the test unit to the operating device, and apply operating voltage.
Set the switch on the operating device to the "Heating and Ventilation" position. The appropriate lights must come on. The pilot light in the switch must also come on.*

*This test is unnecessary in operation with heating timer.

Turn off the switch in the operating device. Call up lighting with key 1.
Press key 1, press key 2 in addition.
Pilot light must change from red to green.

Connect ohmmeter, turn rotary knob. Set value of 1800 Ω to 2200 Ω must be maintained without a break.
In the event of an error change the operating device.



Displayed by green LED	0		8 secs.		Remedy
	[Timeline diagram showing 0 to 8 seconds with tick marks]				
Operation	[Timeline diagram: solid line from 0 to 8s]				-
Warning of over-/undervoltage	[Timeline diagram: dashed line from 0 to 8s]				Check controller, charge battery.
Overvoltage cutout	[Timeline diagram: solid line from 0 to 8s]				Check controller, if necessary test charger. Heater must be connected directly to the battery.
Undervoltage cutout	[Timeline diagram: solid line from 0 to 8s]				Charge battery, check controller.
Glow plug break	[Timeline diagram: dashed line from 0 to 8s]				Check glow plug, glow plug series resistor (for 24 V), replace. Check connecting lines and connection, check connection to glow plug relay.
Burner motor does not turn, speed changeover relay does not function	[Timeline diagram: solid line from 0 to 8s]				Check motor speed, if necessary replace blower. Check speed changeover, if necessary replace PCB. Rated speed: high = 4500 ± 10%rpm, medium/low = 3000 ± 10%rpm
Short-circuit of glow-plug relay contacts	[Timeline diagram: dashed line from 0 to 8s]				Replace glow-plug relay
Safety time exceeded no start	[Timeline diagram: solid line from 0 to 8s]				Check fuel supply, test glow plug (interrupted coil, yet sooty connection), replace if necessary.
Overheat	[Timeline diagram: dashed line from 0 to 8s]				Check heating air lines, inlet and outlet for clogging, if necessary remove clog. Check electrical lines, contacts to metering pump. Check safety thermal cutout switch.
Short circuit of fuel metering pump	[Timeline diagram: solid line from 0 to 8s]				Check metering pump and supply lines, replace if necessary.
Temperature sensor defective	[Timeline diagram: dashed line from 0 to 8s]				Plug connection to temperature sensor in cable harness made internally/externally? Check PCB, internal temperature sensor. If necessary test the external temperature sensor directly. Check connection to operating device, and check the latter (test equipment for operating device).
Flame sensor defective	[Timeline diagram: dashed line from 0 to 8s]				Check flame sensor or connection, and also PCB
Flame goes out at „Low“ stage Heater goes out by itself	[Timeline diagram: dashed line from 0 to 8s]				Check fuel quantity Check blower speed
Flame goes out at „High“ stage Heater goes out by itself	[Timeline diagram: dashed line from 0 to 8s]				Check fuel quantity Check blower speed
Control unit defective	[Timeline diagram: solid line from 0 to 8s]				Replace control unit
External disturbing voltages	[Timeline diagram: dashed line from 0 to 8s]				Remove cause

Diagnostic signals



D

Teiliste zu den Schaltplänen D 3 L auf Seite 29 – 33

1 Brennermotor	12 Relais für Glühkerze
2 Glühkerze	13 Brennstoffdosierpumpe
3 Thermo-schalter	14 Hauptsicherung 16 A
4 Überhitzungsschalter	16 Zusatzschalter Groß-Klein
6 Leiterplatte	17 Schaltuhr
7 Vorschaltwiderstand für Glühkerze	18 Raumtemperaturregler
8 Temperatursicherung	19 Schalter für Dauerbetrieb
10 Steuergerät	21 Universalschalter
11 Motorsicherung	24 Umwälzpumpe (Zusatzteil, wahlweise)

E

Parts list for D 3 L wiring diagrams on p. 29 – 33

1 Burner	13 Fuel metering pump
2 Glow-plug	14 Main fuse, 16 A
3 Temperature switch	16 Additional Full-Half-switch
4 Safety thermal cutout switch	17 Timer
6 Printed circuit board	18 room temperature controller
7 Series resistor for glow plug	19 Continuous operation switch
8 Temperature fuse	21 Universal switch
10 Control unit	24 Recirculation pump (optional extra)
11 Motor fuse	
12 Relay for glow plug	

SV

Detaljlista till kopplingschema D 3 L på sidan 29 – 33

1 Brännare	12 Relä för glödstift
2 Glödstift	13 Bränsledoseringspump
3 Termobrytare	14 Huvudsäkring 16 A
4 Överhettingsbrytare	16 Tillsatsbrytare "stor - liten"
6 Lederplatta	17 Tidur
7 Försäkring motstånd för glödstift	18 Rumstemperaturreglage
8 Temperatursäkring	19 Brytare för kontinuerlig drift
10 Styrenhet	21 Universalbrytare
11 Motorsäkring	24 Cirkulationspump (alternativ extra utrustning)

F

Liste des éléments schématisés sur les plans de câblage D 3 L, pages 29 à 33

1 Brûleur	13 Pompe de dosage de carburant
2 Bougie à incandescence	14 Coupe-circuit général 16 A
3 Thermo-rupteur	16 Interrupteur additionnel (Fort/Demi)
4 Interrupteur de surchauffe	17 Minuterie
6 Circuit imprimé	18 Thermostat d'ambiance
7 Résistance série de la bougie à incandescence	19 Interrupteur pour marche continue
8 Coupe-circuit thermique	21 Commutateur universel
10 Coffret de commande autom.	24 Pompe de circulation (accessoires en option)
11 Coupe-circuit du moteur	
12 Relais de la bougie à incandescence	

Teiliste zu dem Schaltplan B/D 3 L auf Seite 34 – 38

1.1 Brennermotor	2.7 Hauptsicherung 16 A / 25 A
1.2 Glühkerze/Glühzündkerze	3.1.1 Universalschalter
1.2.1 Vorschaltwiderstand für Glühkerze	3.1.2 Schalter für Dauerbetrieb
1.2.3 Temperatursicherung	3.1.4 Zusatzschalter „Groß-Klein“
1.3 Zündfunkengeber	3.1.1.1 Bedieneinrichtung
1.4 Thermo-schalter	3.1.1.2 Störcodeabfrage
1.4.1 Thermo-schalter	3.2.1 Schaltuhr, analog, rund
1.4.3 Glühwendelschalter	3.2.3 Schaltuhr, digital, quadratisch
1.5 Überhitzungsschalter	3.2.4 Schaltuhr, digital, rechteckig
1.7 Verteilerleiste/Leiterplatte	3.2.5 Schaltuhr, digital, rechteckig, 7 Tage
1.12 Flammpföbler	3.3.1 Raumtemperaturregler
1.13 Temperaturfühler	3.3.4 Potentiometer mit Schalter
2.1 Steuergerät	3.4 Einschaltkontrolleuchte
2.1.1 Motorsicherung	3.4 Beleuchtung
2.2 Brennstoffdosierpumpe	3.7 Diagnoseleuchte
2.2.1 Brennstoffdosierpumpe	3.7 Glühkerzenstromregler
2.5.1 Relais für Glühkerze	5.1 Batterie

Parts list for B/D 3 L wiring diagram on p. 34 – 38

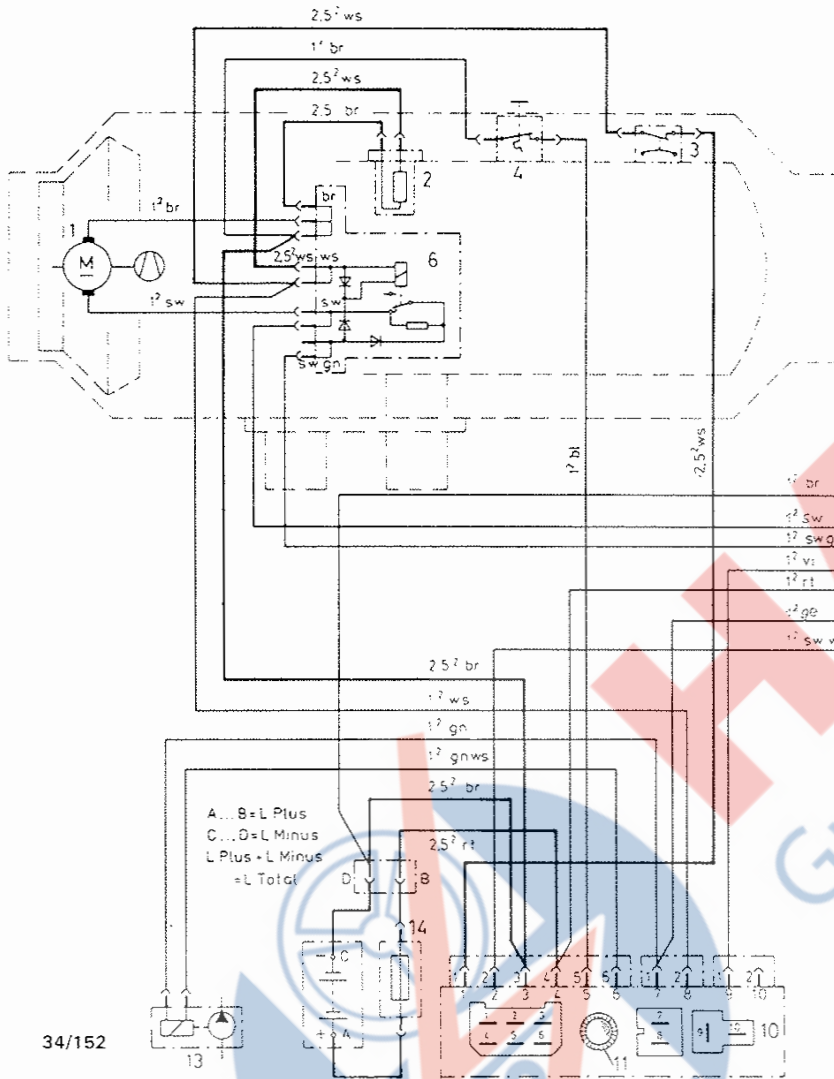
1.1 Burner	2.7 Main fuse 16 A / 25 A
1.2 Glow-plug/	3.1.1 Universal switch
Glow ignition plug	3.1.2 Continuous operation switch
1.2.1 Series resistor for glow-plug	3.1.4 Additional Full/Half switch
1.2.3 Temperature fuse	3.1.1.1 Operating
1.3 Ignition spark generator	3.1.1.2 Pushbutton for diagnostic display
1.4 Temperature switch	3.2.1 Heating timer, analog, circular
1.4.1 Temperature switch	3.2.3 Heating timer, digital, square
1.4.3 Heating coil switch	3.2.4 Heating timer, digital, rectangular
1.5 Safety thermal cutout switch	3.2.5 Heating timer, digital, rectangular, 7 day
1.7 Distributor strip	3.3.1 Room temperature controller
1.12 Flame sensor	3.3.4 Potentiometer with switch
1.13 Temperature sensor	3.4 Switch-on pilot light
2.1 Control unit	3.4 Lightning
2.1.1 Motor fuse	3.4 Diagnostic light
2.2 Fuel metering pump	3.7 Glow-plug current regulator
2.2.1 Fuel metering pump	5.1 Battery
2.5.1 Relay for glow-plug	

Detaljlista till kopplingschema B/D 3 L på sidan 34 – 38

1.1 Brännare	3.1.1 Universalbrytare
1.2 Glödstift/Glödandstift	3.1.2 Brytare för kontinuerlig drift
1.2.1 Försäkring motstånd för glödstift	3.1.4 Tillsatsbrytare "stor-liten"
1.2.3 Temperatursäkring	3.1.1.1 Manöverdon
1.3 Tändgnistgivare	3.1.1.2 Tryckknapp för diagnos-indikering
1.4 Termobrytare	3.2.1 Värmare-tidur, analog runt.
1.4.1 Termobrytare	3.2.3 Värmare-tidur, digital, kvadratisk
1.4.3 Glödspiralbrytare	3.2.4 Värmare-tidur, digital, rektangulärt
1.5 Överhettingsbrytare	3.2.5 Värmare-tidur, digital, rektangulär, 7 dag
1.7 Fordelarlister	3.3.1 Rumstemperaturreglage
1.12 Flammkännare	3.3.4 Potentiometer med brytare
1.13 Temperaturkännare	3.4 Inkopplingskontrolljus
2.1 Styrenhet	3.4 Belysning
2.1.1 Motorsäkring	3.4 Diagnosljus
2.2 Bränsledoseringspump	3.7 Glödstifts-strömregulator
2.2.1 Bränsledoseringspump	5.1 Batterie
2.5.1 Relä för glödstift	
2.7 Huvudsäkring 16 A / 25 A	

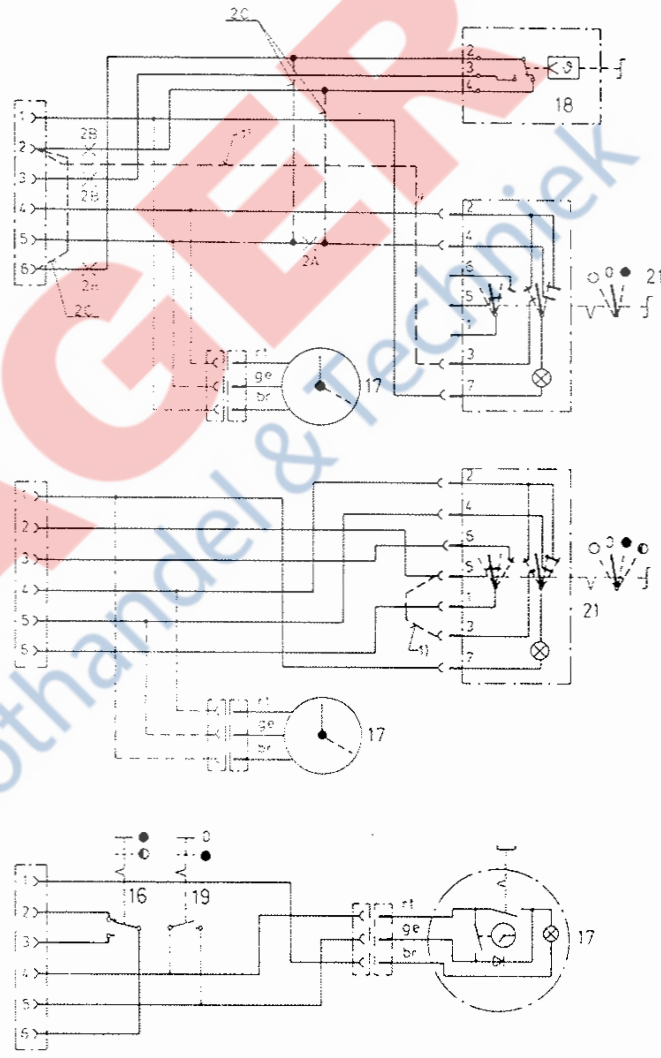
Liste des éléments schématisés sur les plans de câblage B/D 3 L pages 34 à 38

1.1 Brûleur	3.1.1 Commutateur universel
1.2 Bougie d'allumage	3.1.2 Interrupteur pour marche continue
1.2.1 Résistance série de la bougie à incandescence	3.1.4 Interrupteur additionnel "Fort - demi"
1.2.3 Coupe-circuit thermique	3.1.1.1 Instrument de commande
1.3 Générateur d'étincelles	3.1.1.2 Bouton-poussoir pour l'affichage des diagnostics
1.4 Thermo-rupteur	3.2.1 Minuterie de chauffage, analogique, ronde
1.4.1 Thermo-rupteur	3.2.3 Minuterie de chauffage, digitale carrée
1.4.3 Interrupteur du filament bouddé	3.2.4 Minuterie de chauffage, digitale, rectangulaire
1.5 Interrupteur de surchauffe	3.2.5 Minuterie de chauffage, numérique, rectangulaire, 7 jours
1.7 Barrette de distribution	3.3.1 Thermostat d'ambiance
1.12 Détecteur de flamme	3.3.4 Potentiomètre avec commutateur
1.13 Sonde de température	3.4 Lampe-témoin
2.1 Coffret de commande autom.	3.4 Lampe d'éclairage
2.1.1 Coupe-circuit du moteur	3.4 Témoin de diagnostic
2.2 Pompe de dosage de carburant	3.7 Régulateur de tension
2.2.1 Pompe de dosage de carburant	5.1 Batterie
2.5.1 Relais de la bougie à incandescence	
2.7 Coupe-circuit général 16 A / 25 A	



D
 1) Diese Leitung bei Lüftungsbetrieb anschließen
 Anschluß des Raumthermostaten:
 Dargestellt ist die Betriebsweise „Groß-Klein“.
 Für Anschluß Betriebsweise „Ein-Aus“ folgendermaßen
 vorgehen:
 2A Leitungen auftrennen
 2B Leitungen entfallen
 2C Leitungen anschließen
 Teileliste auf Seite 20

E
 1) Connect this cable for ventilation
 Connection of room thermostat:
 "Full - Half" operating mode illustrated
 Proceed as follows for connection of "On - Off"
 operating mode:
 2A Break cable
 2B Remove cables
 2C Connect cables
 Parts list to page 20



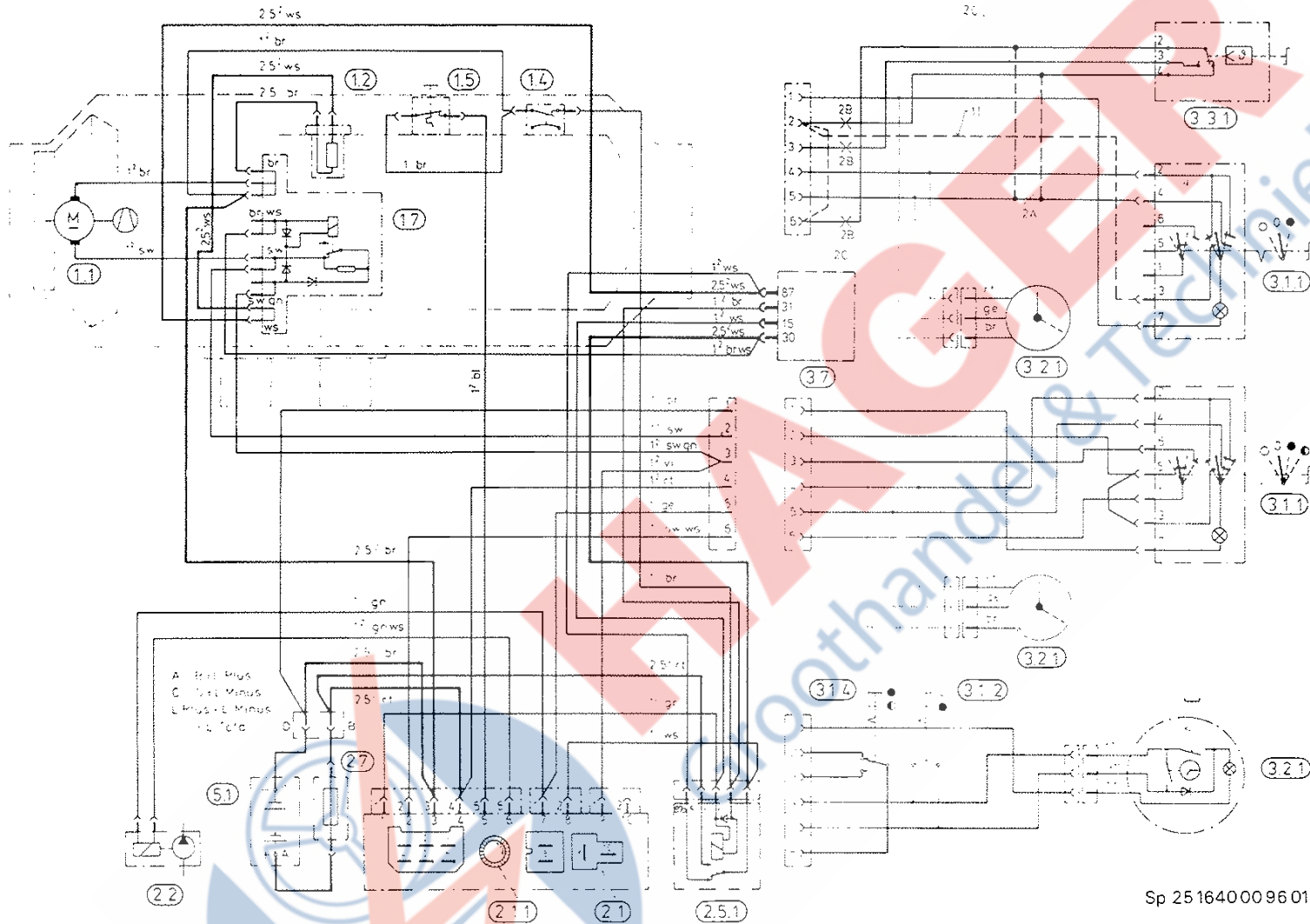
S
 1) Denna ledning ansluts vid ventilationsdrift.
 Anslutning av rumstermostaten:
 Schemat visar driftsättet "full-halv"
 Anslutning driftsätt "på-av" görs på följande vis:
 2A skär upp ledning
 2B ledningar bortfaller
 2C anslut ledningar
 Detaljlista på sidan a 20

F
 1) Raccorder ce conducteur en cas d'utilisation de l'aération
 Raccorderment du thermostat d'ambiance:
 Le dessin représente le mode de commande "Fort-Demi".
 Pour le raccordement en mode de commande "Marche-Arrêt",
 procéder ainsi:
 2A Couper la liaison
 2B Supprimer les liaisons
 2C Etablir les liaisons.
 Liste des éléments sur les pages 20

D 3 L - 12 Volt - 25 1482.01 00 00

Schaltplan
 Wiring diagram
 Kopplingschema
 Plan de câblage





Schaltplan D 3 L - 12 V - 251640 01 00 00

X

D Anschluß des Raumtemperurreglers:
Dargestellt ist die Betriebsweise „Groß - Klein“
Für Anschluß Betriebsweise „Ein - Aus“ folgender-
maßen vorgehen:
2 A Leitung auftrennen
2 B Leitungen entfernen
2 C Leitungen anschließen

1) Diese Leitung bei Lüftungsbetrieb anschließen.

E Connection of room thermostat:
"Full - Half" operation illustrated.
Proceed as follows for connection of "On - Off"
operation:
2 A Break cable
2 B Cable not required
2 C Connect cables

1) Connect this cable for fan operation

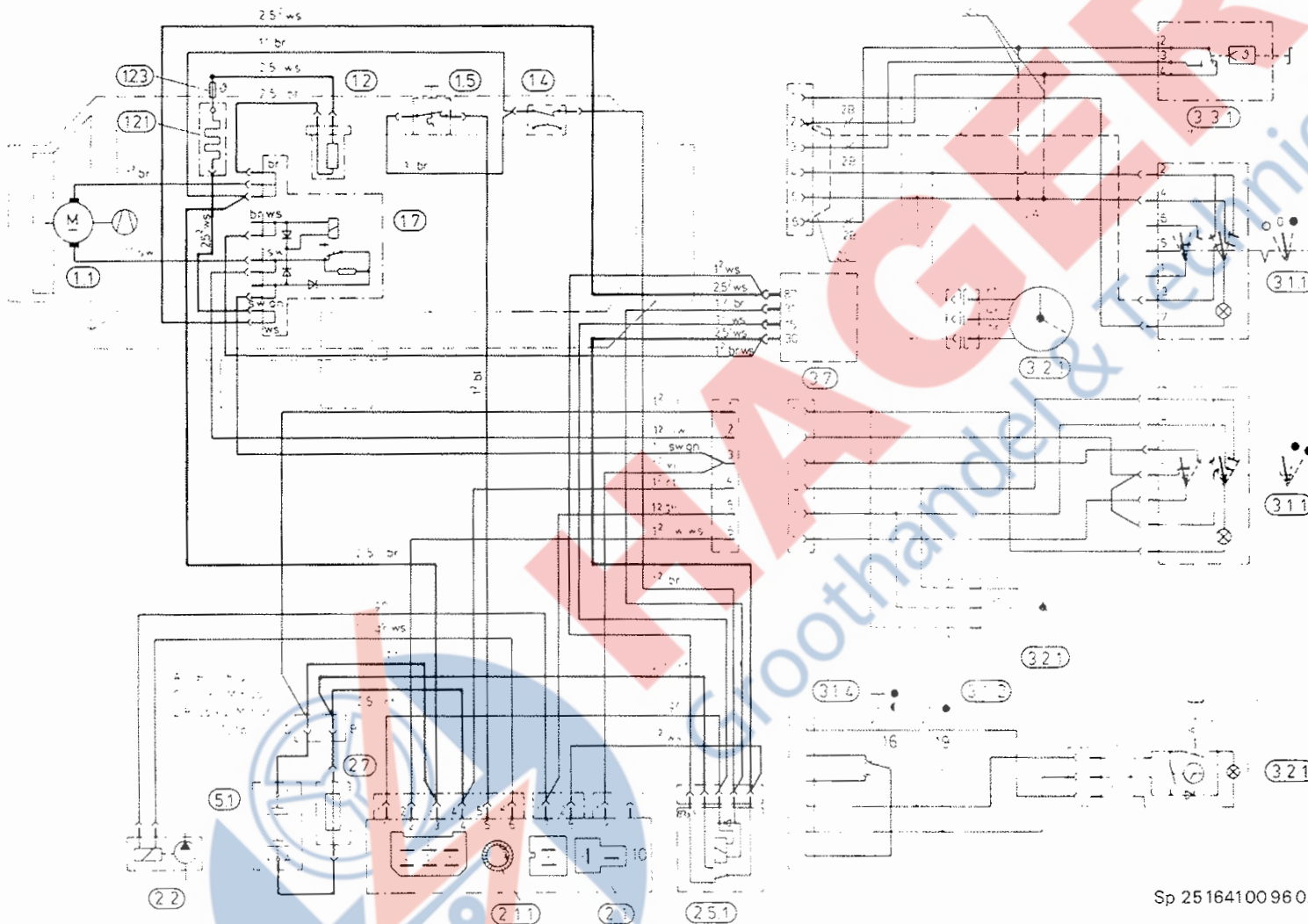
Sv Anslutning av rumstermostat:
Driftsättet "stor - liten" är visat.
För anslutning "på - av" gör man på följande vis:
2 A skär upp ledning
2 B bryt ut ledningar
2 C anslut ledningar

1) Denna ledning ansluts vid ventilationsdrift

F Raccordement du thermo-rupteur d'ambiance:
Câblage représenté: mode d'emploi (Fort/Demi-puissance)
Pour le raccordement en mode d'emploi
«Marche/Arrêt», procéder comme suit:
2 A Couper la liaison
2 B Liaisons supprimées
2 C Liaisons à créer

1) Raccorder ce conducteur pour aération

Sp 251640009601



Schaltplan D 3 L - 24 V - 251641 01 00 00 / 251642 01 00 00



D Anschluß des Raumtemperaturreglers:
Dargestellt ist die Betriebsweise „Groß - Klein“.
Für Anschluß Betriebsweise „Ein - Aus“ folgender-
maßen vorgehen:
2 A Leitung auftrennen
2 B Leitungen entfernen
2 C Leitungen anschließen

1) Diese Leitung bei Lüftungsbetrieb anschließen

E Connection of room thermostat:
"Full - Half" operation illustrated.
Proceed as follows for connection of "On - Off"
operation:
2 A Break cable
2 B Cable not required
2 C Connect cables

1) Connect this cable for fan operation

S Anslutning av rumstermostat:
Drittssättet "stor - liten" är visat.
För anslutning "på - av" gör man på följande vis
2 A skär upp ledning
2 B bred ut ledningar
2 C anslut ledningar

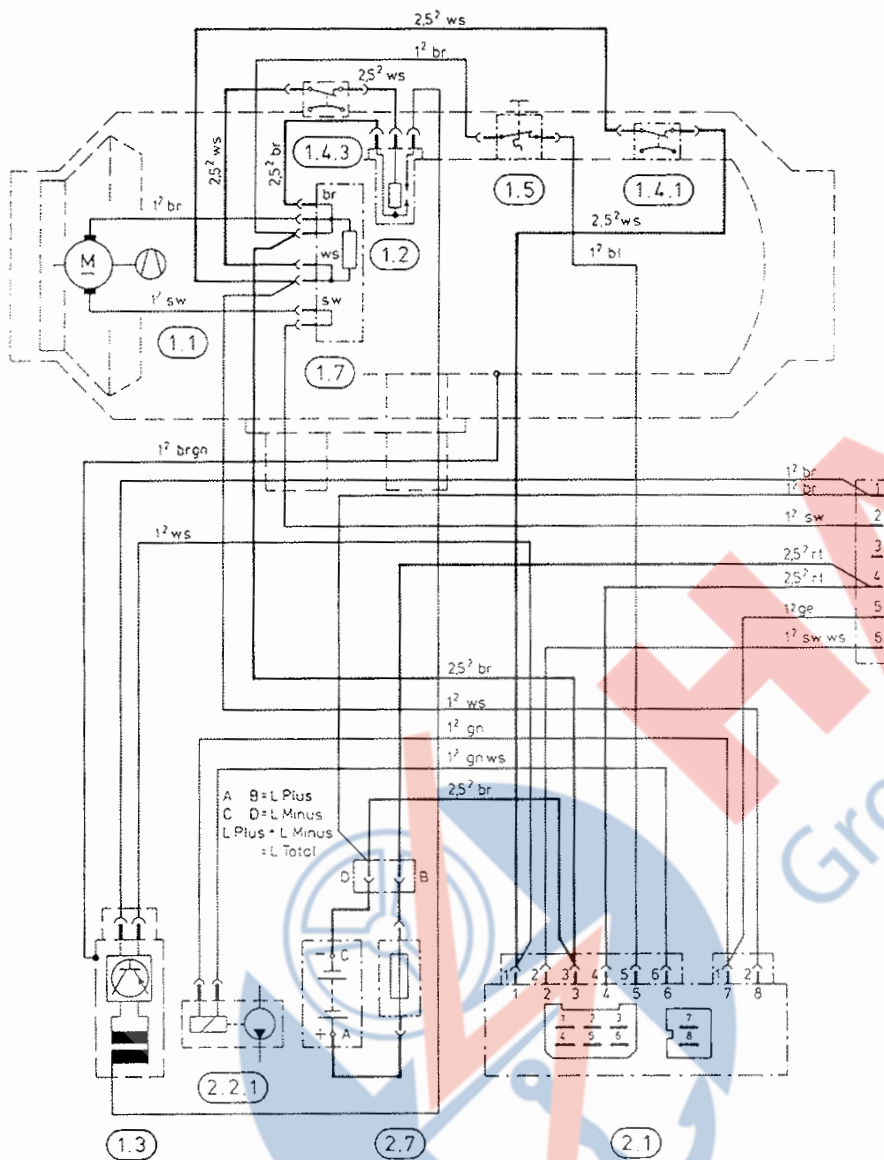
1) Denna ledning ansluts vid ventilationsdrift

F Raccordement du thermo-rupteur d'ambiance:
Câblage représenté: mode d'emploi (Fort/Demi-puissance)
Pour le raccordement en mode d'emploi
(Marche/Arrêt), procéder comme suit:
2 A Couper la liaison
2 B Liaisons supprimées
2 C Liaisons à créer

1) Raccorder ce conducteur pour aération

Sp 251641009602



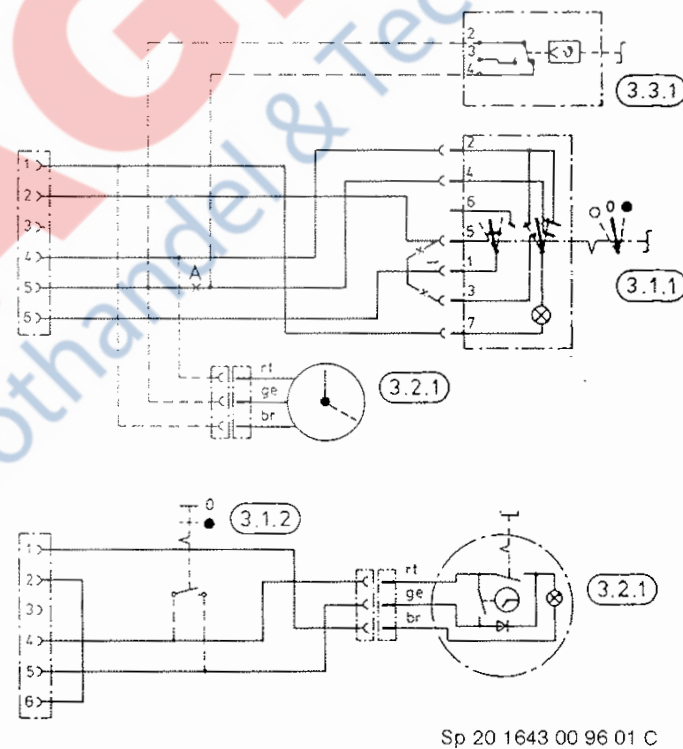


D
 1) Bei Anschluß des Raumthermostaten Leitung bei A auftrennen.
 Teileliste auf Seite 20

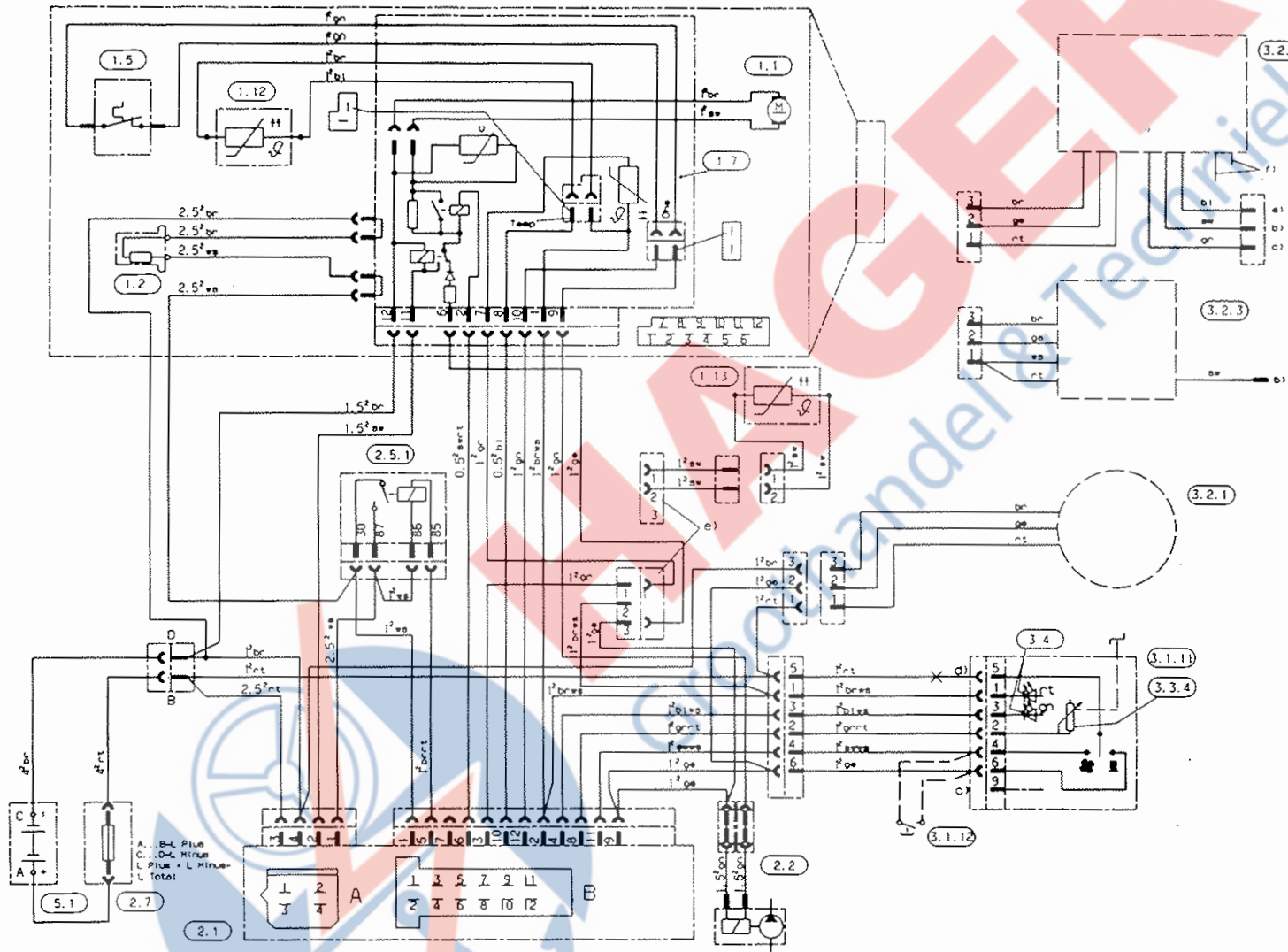
E
 1) Break cable at A for connection of the room temperature controller
 Parts list to page 20

S
 1) Vid anslutning av rumstemperatur-reglage skärs ledning upp vid A.
 Detaljlista på sidan a 20

F
 1) Pour le raccordement du thermostat d'ambiance, couper la Liaison en A.
 Liste des éléments sur les pages 20



Sp 20 1643 00 96 01 C



25 1738 00 96 02

D 3 L - 12 Volt - 25 1738 01 00 00

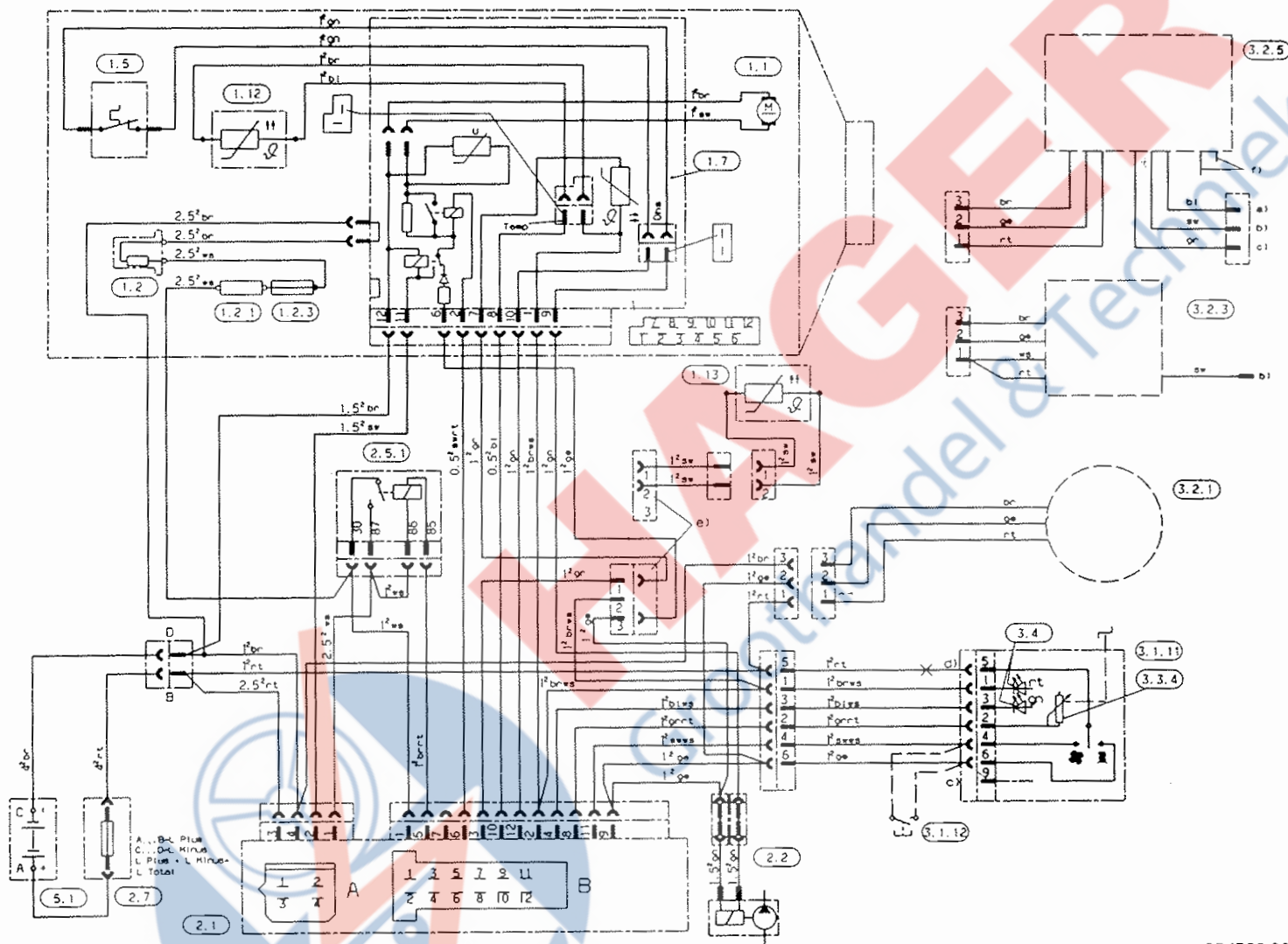
a) Test (Werkstatt) Digitaluhr
 b) an Klemme 15
 c) Beleuchtung Klemme 58
 d) bei Anschluß Schaltuhr, Leitung hier auftrennen

a) test (workshop) digital timer
 b) to terminal 15
 c) lighting, terminal 58
 d) if timer is connected, break line here

a) test (verkstaden) digitalur
 b) till klämma 15
 c) belysning klämma 58
 d) vid anslutning av tidur ledning skär av här

a) Test (Atelier) de la minuterie numérique
 b) vers borne 15
 c) Eclairage, borne 58
 d) Séparer ici, en cas de raccordement d'une minuterie





- | | | | |
|--|---|---|--|
| a) Test (Werkstatt) Digitaluhr | a) test (workshop) digital timer | a) test (verkstaden) digitalur | a) Test (Atelier) de la minuterie numérique |
| b) an Klemme 15 | b) to terminal 15 | b) till klämma 15 | b) vers borne 15 |
| c) Beleuchtung Klemme 58 | c) lighting, terminal 58 | c) belysning klämma 58 | c) Eclairage, borne 58 |
| d) bei Anschluß Schaltuhr, Leitung hier auftrennen | d) if timer is connected, break line here | d) vid anslutning av tidurledning skär av här | d) Séparer ici, en cas de raccordement d'une minuterie |



D

Messung der Brennstoffmenge

Achtung: Brennstoffmessung nur in Stellung "Groß" und bei ausreichend geladener Batterie durchführen. Am Steuergerät sollen während der Messung mindestens 11/22 V und höchstens 13/26 V anliegen.

1. Vorbereitung

Brennstoffleitung vom Heizgerät abziehen und in Meßglas (Größe 10 ml oder 25 ml) einleiten. Voltmeter an Klemme 3 (–) und 4 (+) des Steuergerätes anschließen, Stoppuhr bereitlegen. Heizgerät einschalten, bis gleichmäßig Brennstoff gefördert wird. Jetzt ist die Brennstoffleitung gefüllt und entlüftet. Heizgerät abstellen, Meßglas entleeren.

2. Messung

Heizgerät einschalten. Nachdem das Gebläse läuft, elektrischen Anschluß an der Glühkerze abklemmen, Meßglas während der Messung in Kerzenhöhe halten. Sobald Brennstoff gefördert wird, Stoppuhr einschalten, elektrische Spannung am Voltmeter ablesen, nach 1 Minute (oder 2 Minuten = größere Genauigkeit der Messung) Heizgerät wieder abschalten. Brennstoffmenge ablesen.

3. Auswertung

Im Diagramm von der gemessenen Spannung senkrecht nach oben und von der während einer bzw. zwei Minuten gemessenen Brennstoffmenge waagrecht nach rechts gehen. Der Schnittpunkt muß innerhalb der beiden Grenzkurven liegen. Liegt er außerhalb, Dosierpumpe austauschen.

E

Measurement of fuel quantity

NOTE: Measure fuel only when battery sufficiently charged. At least 11/22 V and at most 13/26 V should be at the control unit during measurement.

1. Preparation

Pull fuel line off heater and insert it into measuring glass (size 10 ml or 25 ml). Connect voltmeter to terminals 3 (–) and 4 (+) of control unit. Prepare stopwatch. Switch on heater until fuel is being pumped evenly. The fuel line is now filled and free of air. Switch off heater, empty measuring glass.

2. Measurement

Switch on heater. Once the blower is running, disconnect at glow plug, and hold measuring glass at glow plug level during measurement. As soon as fuel is being pumped, start stopwatch, read off voltage at voltmeter; after one minute (or two for greater accuracy), switch off heater again. Read off fuel quantity.

3. Evaluation

In the diagram, go vertically upwards from the measured voltage and horizontally to the right from the fuel measured in one or two minutes. The lines should intersect within the two limit curves. If not, change the metering pump.

Sv

Mätning av bränslemängden

OBS! Bränslemätningen kan bara ske om batteriet är tillräckligt laddat. Under mätningen ska det vara minst 11 V/22 V och högst 13 V/26 V vid styrenheten.

1. Förberedelse

Lossa bränsleledningen från värmaren och häng den i ett mätglas (storlek 10 ml eller 25 ml). Anslut en voltmeter vid klämma 3 (–) och 4 (+) på styrenheten, lägg ett tidtagarur tillhands. Starta värmaren och låt den gå tills bränslet strömmar jämnt. Nu är bränsleledningen fylld och avluftad. Stäng av värmaren, töm mätglaset.

2. Mätning

Starta värmaren. Efter att fläkten går, stryps den elektriska anslutningen vid glödstiftet. Håll mätglaset i höjd med glödstiftet under mätningen. När bränsle tillförs, startas tidtagaruret, läs av den elektriska spänningen på voltmeter, stäng av värmaren efter 1 minut (eller ännu bättre 2 minuter = ger större noggrannhet av mätningen). Läs av bränslemängden.

3. Utvärdering

På diagrammet går man lodrätt uppåt från den avlästa spänningen och vågrätt åt höger från den inom 1 minut resp. 2 minuter uppmätta bränslemängden. Skärningspunkten måste ligga inom de bägge gränskurvor, ligger den utanför måste doseringspumpen bytas ut.

F

Mesure de la dose de carburant

Attention: La mesure de la dose de carburant ne doit avoir lieu qu'avec une batterie suffisamment chargée. A l'entrée du coffret de commande il doit y avoir au moins 11/22 V et au plus 13/26 V durant la mesure.

1. Préparatifs

Retirer la conduite de carburant de l'appareil de chauffage et l'introduire dans l'éprouvette de mesure (grandeur: 10 ml ou 25 ml). Raccorder le voltmètre aux bornes 3 (–) et 4 (+) du coffret de commande automat., et tenir un chronomètre à portée de main. Brancher l'appareil de chauffage jusqu'à ce que le carburant débite uniformément. La conduite est alors pleine et purgée. Arrêter l'appareil de chauffage, puis vider l'éprouvette de mesure.

2. Mesure

Brancher l'appareil de chauffage. Lorsque la turbine est en marche, débrancher le câble électrique sur la bougie à incandescence, et tenir l'éprouvette de mesure à hauteur de la bougie durant la mesure. Brancher l'appareil de chauffage, et dès que le carburant est débité, déclencher le chronomètre, lire la tension sur le voltmètre, puis débrancher de nouveau l'appareil de chauffage au bout de 1 minute (ou 2 minutes pour une meilleure précision de la mesure). Lire la quantité de carburant débité.

3. Exploitation du résultat

Remonter verticalement à partir de la tension mesurée, et à partir de la valeur mesurée du débit de carburant obtenue en une ou deux minutes, aller horizontalement vers la droite. Le point d'intersection doit se situer entre les deux courbes limites. Si ce point se trouve hors d'elles, remplacer la pompe de dosage.

X

D

Mantelschalen und Hutzen demontieren

B 3 L:

Kerzenkappe (1) abnehmen und Kerzenstecker abziehen, Haltebügel (6) von Gehäuse (7) lösen und Gehäuse abnehmen, Befestigungsschrauben für Konsole (3) und Mantelschale (5) lösen.

B 3 L / D 3 L:

Befestigungsschrauben an der Hutze (4) und an den Längsnähten der Mantelschale lösen. Hutze (4) abnehmen, Kerzentülle aus der oberen Mantelschale nach innen drücken, Mantelschale abnehmen.

E

Removing casings and hoods

B 3 L:

Remove plug cap (1) and pull off plug connector, release holding clips (6) from housing (7) and remove housing, then undo fastening screws for bracket (3) and casing section (5).

B 3 L / D 3 L:

Undo fastening screws on the hoods (4) and along the longitudinal joints of the casing. Remove hoods (4), press plug grommet inwards out of the upper casing section, then remove the casing section.

Sv

Demontering av mantelkåpor och kona

B 3 L:

Ta bort tändstiftskåpan (1) och dra bort stiftskontakten, lossa fästklämman (6) från skyddskåpan (7) och ta bort den. Lossa befästningsskruvarna för konsolen (3) och mantelkåpan (5).

B 3 L / D 3 L:

Lossa befästningsskruvarna på konan (4) och på längsvetsarna av mantelkåporna. Ta bort konorna (4). Tryck stiftsbussningarna inåt ur den övre mantelkåpan, ta bort mantelkåpan.

F

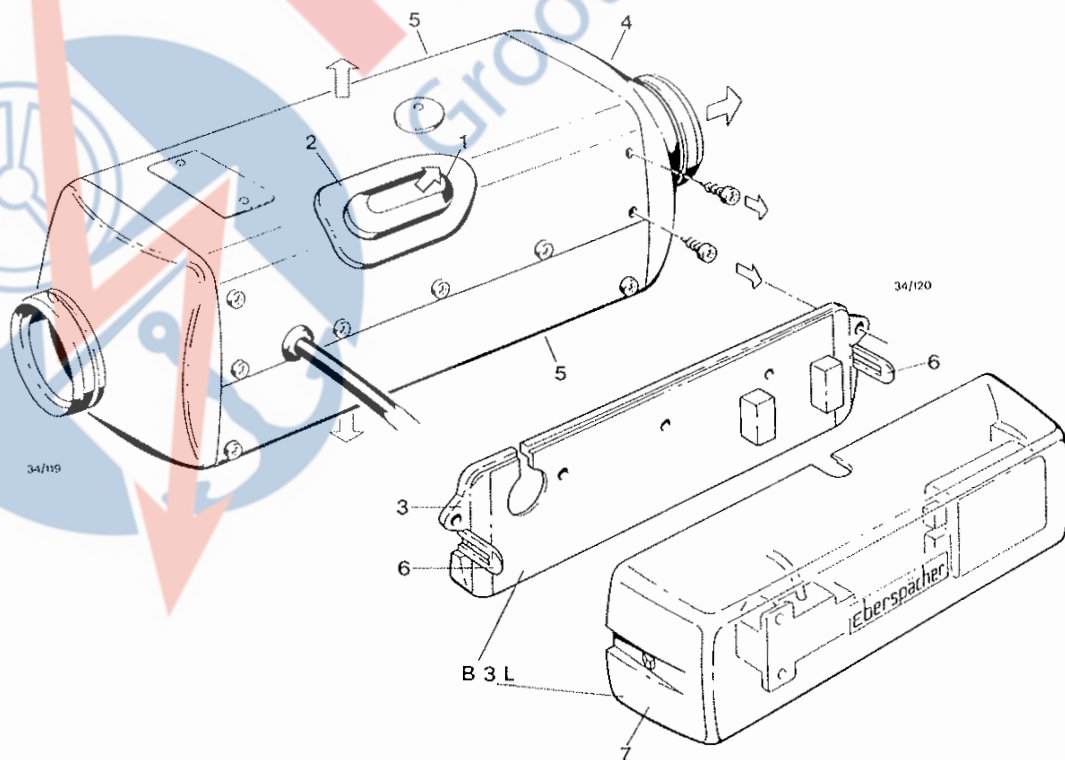
Dépose des enveloppes et calottes extérieures

B 3 L:

Retirer le capuchon de protection (1) de la bougie et la cosse de bougie, détacher les clips de maintien (6) du boîtier (7) et retirer celui-ci. Défaire les vis de fixation de la console (3) et déposer l'enveloppe extérieure (5).

B 3 L / D 3 L:

Dévisser les vis de fixation sur les calottes (4) et aux jointures longitudinales de l'enveloppe. Déposer les calottes (4), presser le joint caoutchouté du puits de bougie vers l'intérieur et retirer l'enveloppe extérieure.



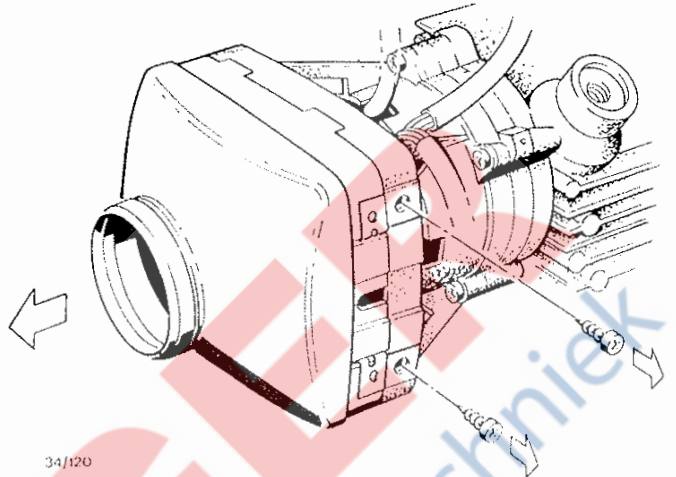


Ansaughutze von Gebläse-Stützring abschrauben und abziehen.

Unscrew inlet hood from blower support ring, and remove.

Skruva bort och dra av insugningskonan från fläktstödning.

Dévisser puis déposer l'embout d'aspiration hors de la bague d'appui de la turbine.



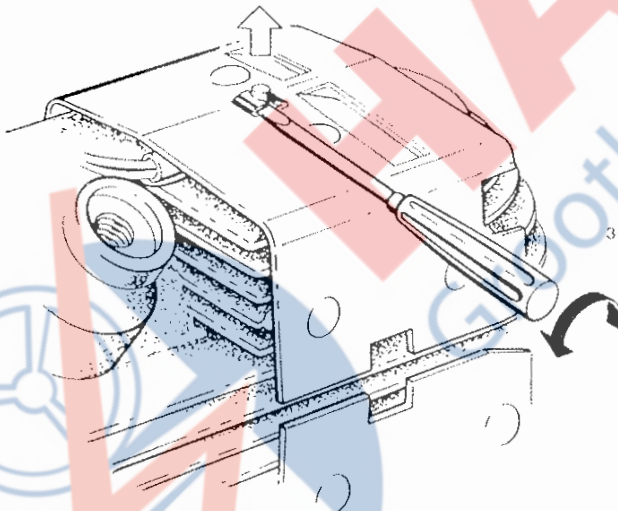
34/120

Thermoschalter/Flammfühler auswechseln.

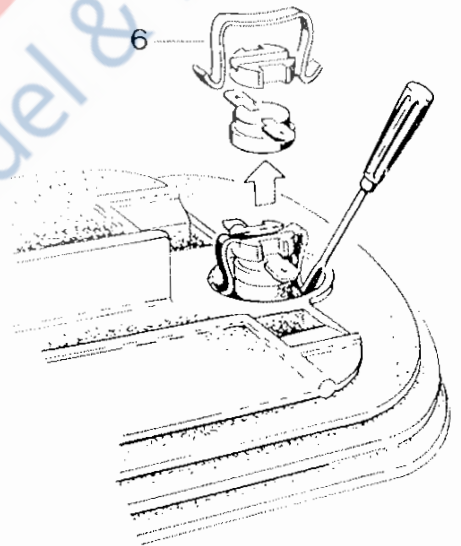
Replacing temperature switch/flame sensor.

Utbyte och demontering av termobrytare/flamkännare.

Remplacement du thermo-rupteur/détecteur de flamme démontage.



34/121



Einbau:

Beim Austausch des Thermoschalters auch Halteklammer (6) auswechseln.

Installation:

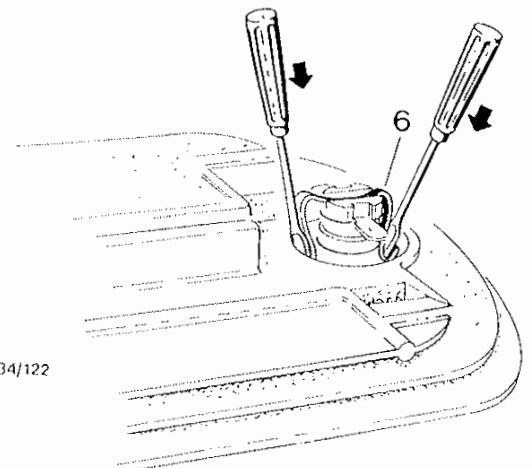
When replacing the temperature switch, replace the holding clips (6) also.

Montering:

Vid byte av termobrytaren bör även klämman bytas (6).

Remontage:

Lors du remplacement du thermo-rupteur, échanger également la pince de fixation (6).



34/122

X

Überhitzungsschalter auswechseln;

Zuerst Haltefedern (7) aufbiegen, dann Überhitzungsschalter abnehmen.

Replacing safety thermal cutout switch;

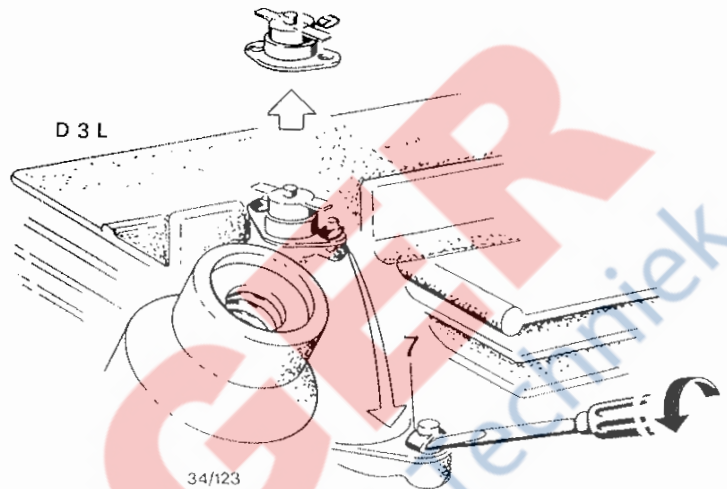
First bend holding tabs (7) upwards, then remove safety thermal cutout switch.

Byte av överhettningssbrytare;

Böj först upp bygel (7), sedan tar man ut överhettningssbrytaren.

Remplacement de l'interrupteur de surchauffe;

Tout d'abord, déplier les ressorts de maintien (7), puis enlever l'interrupteur de surchauffe.



Einbau:

Beim Austausch des Überhitzungsschalters auch Haltefedern auswechseln.

Installation:

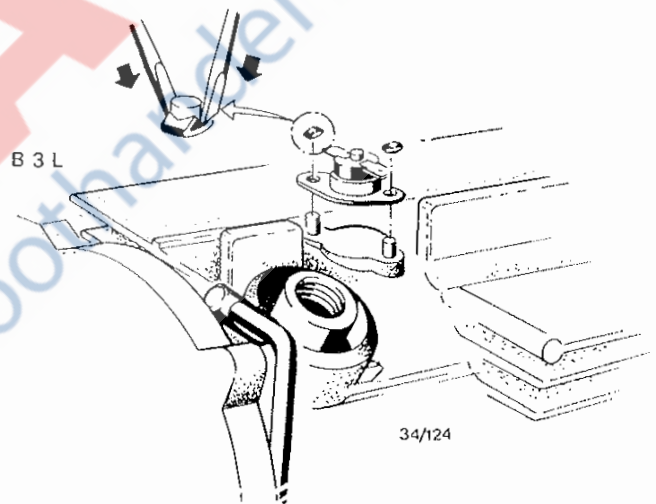
When replacing the safety thermal cutout switch, replace the holding tabs also.

Montering:

Vid byte av överhettningssbrytaren bör även byglarna bytas.

Remontage:

Lors du remplacement de l'interrupteur de surchauffe, échanger également les ressorts de maintien.



D

Kabelbaum ausbauen

Oberes Wärmeschutzblech abnehmen, Kabelstecker von Überhitzungsschalter und Thermoschalter abziehen, Kabel von Leiterplatte abziehen und Kabelbaum abnehmen. Beim Einbau des Kabelbaumes Schaltplan und Angaben der Kabelfarben auf der Leiterplatte beachten.

E

Removing cable harness

Remove upper heat protection plate, detach cable plug from safety thermal cutout switch and temperature switch, detach the cable from the printed circuit board and remove the cable harness.

When installing the cable harness, follow the wiring diagram and the cable colour information on the printed circuit board.

Sv

Demontage av kabelknippe:

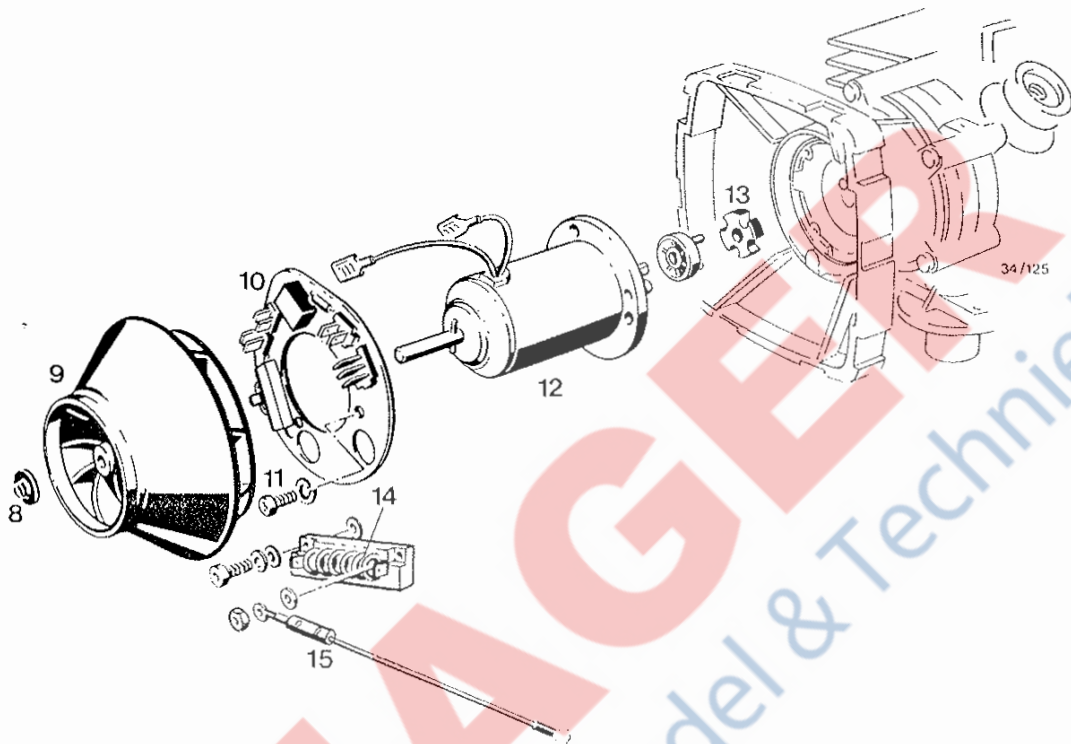
Ta bort den övre värmskyddsplåten. Dra bort kabelkontakten från överhettningssbrytare och termobrytare, dra bort kabeln från ledareplattan och ta bort kabelknippet. Beakta kopplingsschema och uppgifter om kabelfärger på ledareplattan, när kabelknippet ska inmonteras igen.

F

Dépose du faisceau de câbles

Retirer la tôle supérieure d'isolation thermique, défaire la cosse de l'interrupteur de surchauffe et retirer le thermobrupteur. Défaire tous les câbles de la plaque de raccords et retirer le faisceau.

A la repose du faisceau, observer les indications redonnées par le schéma de câblage et les indications de couleur sur la plaque de raccords.



D

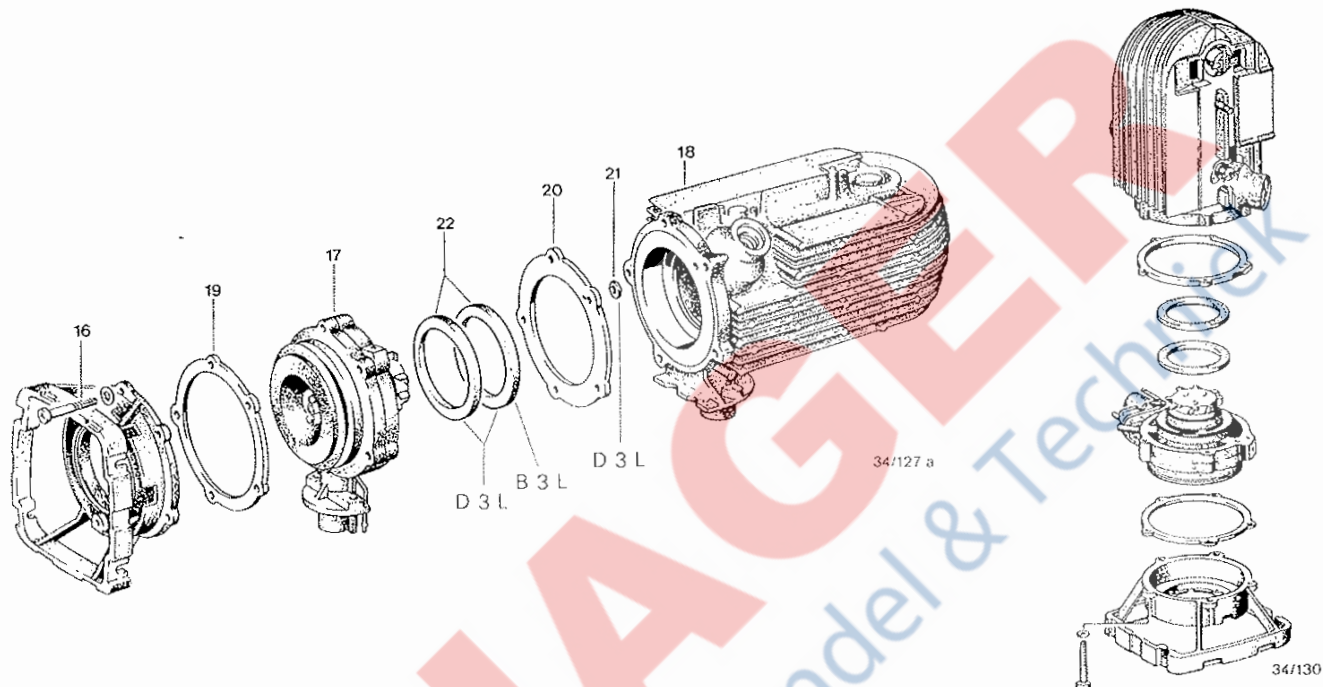
Heizluftgebläse rad ausbauen

Sicherungsring aufbiegen und von der Motorwelle abziehen, Gebläse rad abnehmen. Sicherungsring erneuern.
Leiterplatte, Elektromotor und Kupplung ausbauen.
Kabel von Leiterplatte abziehen, 3 Schrauben an Leiterplatte lösen.
Leiterplatte, Elektromotor und Kupplung abnehmen.
Defekte Teile austauschen.
Beim Zusammenbau den Schaltplan und die Angaben der Kabelfarben auf der Leiterplatte beachten.
Widerstandsspirale und Temperatursicherung ausbauen.
Nur bei D 3 L – 24 Volt.
Stecker der Temperatursicherung abziehen und Schraube an Gehäuse der Widerstandsspirale lösen.
Temperatursicherung austauschen.
Zusammenbau in umgekehrter Reihenfolge.
ACHTUNG: Nach Austausch des Elektromotors ist die Verbrennungsluft neu einzustellen.

E

Removing hot air blower wheel

Bend back holding tabs and pull off from the motor shaft, remove blower wheel. Replace the circlip.
Remove printed circuit board, electric motor and coupling.
Detach cable from printed circuit board, undo three screws on the printed circuit board.
Take off printed circuit board, electric motor and coupling.
Replace defective parts.
When reassembling, follow the wiring diagram and the cable colour information on the printed circuit board.
Remove resistance coil and temperature fuse.
For D 3 L – 24 V only.
Pull off plug of temperature fuse and undo screws on resistance coil housing.
Replace temperature fuse.
Reassemble in reverse order.
IMPORTANT: Readjust the combustion air after replacement of electric motor.



D

Verbrennungsluftgebläse und Wärmetauscher austauschen.

Verbrennungsluftgebläse von Wärmetauscher abbauen.

1. 5 Schrauben (16) lösen.
2. Verbrennungsluftgebläse (17) vom Wärmetauscher (18) abnehmen.
3. Dochtringe (22) vom Verbrennungsluftgebläse (17) entfernen. Dichtungen (19, 20, 21) durch neue ersetzen.

Wird der Wärmetauscher erneuert, muß aufgrund behördlicher Vorschrift das Hinweisschild "Originalersatzteil" auf die obere Mantelschale geklebt und das Verkaufsdatum des Wärmetauschers eingetragen werden.

Verbrennungsluftgebläse und Wärmetauscher zusammenbauen.

1. Neue Dochtringe (22) über das Zerstäuberrad des Verbrennungsluftgebläses (17) streifen. Nur wenn nötig, Zerstäuberrad abschrauben.
2. Wie in Bild 34/130 dargestellt, Heizung in senkrechter Lage zusammenbauen.
3. Komplette Heizung herumdrehen und mit 5 Schrauben zusammenschrauben.

Nach erfolgreichem Zusammenbau Verbrennungsluft einstellen (siehe Seite 40).

E

Replacing combustion air blower and heat exchanger.
Removing combustion air blower from heat exchanger.

1. Undo 5 screws (16).
2. Remove combustion air blower (17) from heat exchanger (18).
3. Remove wick rings (22) from combustion air blower (17). Replace seals (19, 20, 21) by new ones.

If the heat exchanger is replaced, official regulations require that the plate marked "Originalersatzteil" (genuine spare part) be affixed to the upper casing section, and the purchase date of the heat exchanger entered on it.

Assemble combustion air blower and heat exchanger.

1. Slip new wick rings (22) over the atomizer wheel of the combustion air blower (17). Unscrew this wheel only when necessary.
2. Assemble heater in vertical position as shown in Fig. 34/130.
3. Turn whole heater around and screw together using 5 screws.

Adjust combustion air after completion of assembly (see page 40).



D
Glühwendelschalter austauschen (B 3 L)

Schrauben von Glühwendelschalter an der Wärmetauschunterseite lösen und Kabel abziehen.

E
Removing the heating coil switch: (B 3 L)

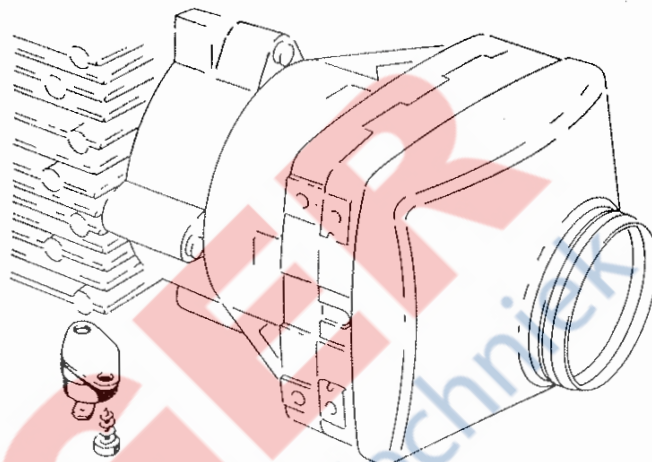
Unscrew heating coil switch from the underside of the heat exchanger.

Sv
Demontering av glödspiralbrytaren: (B 3 L)

Glödspiralbrytaren på värmeväxlarens undersida skruvas av.

F
Dépose du contacteur spiralé (B 3 L)

Dévisser le contacteur spiralé, sur la partie inférieure de l'échangeur de chaleur.



D
Anordnung des Schlauches für die Kerzenraumbelüftung

- 1) Verbrennungsluftstutzen
- 2) Schlauch für Kerzenraumbelüftung

E
Arrangement of hose for plug area ventilation in vehicle interior installations.

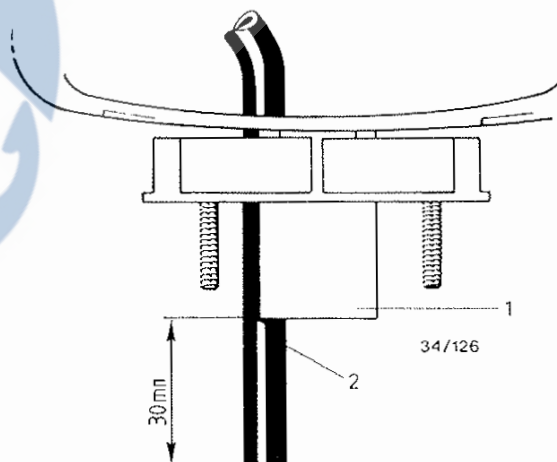
- 1) Combustion air connection
- 2) Hose for plug ventilation

Sv
Anordning av slangen för stiftsrumventilation vid innermonteringar.

- 1) Förbränningsluftstusar
- 2) Slang för stiftsrumventilation

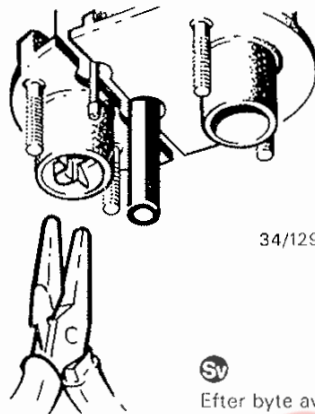
F
Disposition du tuyau d'aération du puits de bougie, sur les appareils implantés en intérieur.

- 1) Manchon d'air de combustion
- 2) Tuyau d'aération du puits de bougie



X

Einstellung der Verbrennungsluft
Adjusting combustion air
Justering av förbränningsluften
Réglage de l'air de combustion



34/129

D

Nach Austausch des Elektromotors oder des Verbrennungsluftgebläses muß die Verbrennungsluftmenge kontrolliert werden.

Dazu ist bei betriebswarmem Heizgerät und Stellung „Groß“ entweder der CO₂-Gehalt oder der Rußgehalt des Abgases zu messen und ggf. mit der im Verbrennungsluftansaugstutzen eingebauten Blende neu einzustellen.

1. Einstellung über CO₂-Messung:

CO₂-Gehalt im Abgas feststellen.

Sollwert 12 bis 13%

Ist der CO₂-Gehalt größer als 13% Blende etwas öffnen, ist er kleiner als 12% Blende etwas schließen. Erneut messen, wenn Sollwert erreicht ist, Blende mit Klammer nicht mehr verstellen.

2. Einstellung über Rußzahlmessung:

Blende zunächst auf kleinste Öffnung verdrehen.

Rußzahl messen.

Sollwert 0 bis 2.

Liegt sie darüber, Blende etwas öffnen, erneut messen.

Sobald Rußzahl zwischen 0 und 2 erreicht ist, Blende mit Klammer nicht mehr verstellen.

Achtung: Bei älteren Heizgeräten, die einen Querstift von Ø 2 mm in Stutzen und Blende haben, die neue Blende mit Klammer einbauen.

E

The combustion air quantity must be checked after replacement of the electric motor or the combustion air blower. To do so, either the CO₂ content or the soot content of the exhaust must be measured, and if necessary, reset using the diaphragm built into the combustion air intake pipe.

1. CO₂ measurement setting:

Determine the CO₂ content in the exhaust.

Target value 12 to 13%

If the CO₂ content exceeds 13% open the diaphragm slightly, close it slightly if the content is less than 12%

Measure again, stop adjustment of diaphragm with clamp when target value is achieved

2. Soot content measurement setting:

First turn the diaphragm to the narrowest opening. Measure soot content.

Target value 0 to 2.

If in excess of this, open diaphragm slightly and measure again. As soon as the soot content is between 0 and 2, stop adjustment of diaphragm with clamp.

Note: In the case of older heaters with a 2 mm dia. crosspin in the pipe and diaphragm, install new diaphragm with clamp.

Sv

Efter byte av el-motorn eller förbränningsluftfläkten måste förbränningsluftmängden kontrolleras.

Antingen ska man mäta CO₂-mängden eller också sotpartiklarna i avgaserna och vid behov justeras på nytt med strypflänsen, vilken är inbyggd i förbränningsluftinsugningsröret.

1. Justering vid CO₂-mätning:

CO₂-mängd i avgaserna mätes.

Normvärde 12 – 13%

Är CO₂-mängden större än 13% öppnas strypflänsen något, är den lägre än 12% stängs strypflänsen något. Genomför en ny mätning och när normvärdet uppnåtts, ska strypflänsen med klämma inte förställas mer.

2. Justering vid sotpartikelmätning:

Först skruvar man strypflänsen på den minsta öppningen.

Mät sotpartiklarna.

Normvärde: 0 – 2.

Ligger den högre, öppnar man strypflänsen något och genomför en ny mätning. När sotpartiklarn ligger mellan 0 och 2 ska strypflänsen med klämma inte förställas mer.

Obs!: Vid äldre modeller, vilka har ett tvärstift av Ø 2 mm i stutsar och flänsar, monteras den nya strypflänsen med klämma.

F

Après remplacement du moteur électrique ou de la turbine d'air de combustion, il y a lieu de contrôler le dosage de l'air de combustion.

A cet effet, il faut mesurer soit la teneur en CO₂ soit la teneur en suie du gaz d'échappement, puis le cas échéant, réajuster le réglage à l'aide du diaphragme prévu la tubulure d'aspiration d'air de combustion.

1. Réglage par la mesure de la teneur en CO₂:

Déterminer la teneur en CO₂ dans le gaz d'échappement.

Valeur de consigne: 12 à 13%

Si la teneur en CO₂ dépasse 13% agrandir un peu le diaphragme, si la teneur est inférieure à 12% le refermer un peu. Mesurer à nouveau et lorsque la valeur de consigne est atteinte, ne plus dérégler le diaphragme avec agrafe.

2. Réglage par la mesure de la teneur en suie:

Amener tout d'abord le diaphragme à la plus petite ouverture. Mesurer la teneur en suie. Valeur de consigne:

0 à 2. Si la teneur dépasse cette valeur, ouvrir un peu le diaphragme, et mesurer de nouveau. Dès que la teneur est comprise entre 0 et 2, ne plus dérégler le diaphragme avec agrafe.

Attention: Dans les appareil de chauffage plus anciens, possédant une goupille de 2 mm de Ø dans l'embout et le